

Ball joints

SPECIFICATION

Types (pairings)

- Type **N**: Bronze / Steel, lubrication possible
- Type **W**: Steel-PTFE / Steel, self lubricated

Pairings

Type N (lubrication possible)

Bearing socket
Brass, CuSn8

Internal ring Steel 100 Cr6
hardened, ground, polished

Type W (self lubricated)

Bearing socket
Steel, zinc plated
with PTFE-insert

Internal ring
Steel, 100Cr6
hardened, ground, polished



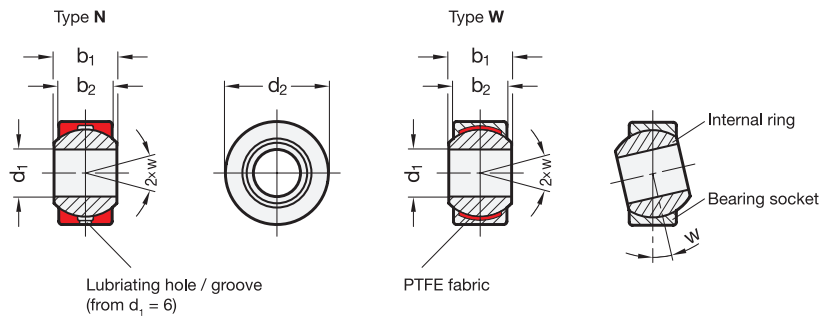
INFORMATION

Ball joints GN 648.8 are similar to DIN ISO 12240-4, series K. These ball joints are integrated in the ball joint heads GN 648.1 (see page 1136) and GN 648.2 (see page 1138).

- More information to ball joints as well as load capacity (see page 1134)

TECHNICAL INFORMATION

- ISO-Fundamental Tolerances (see page A21)



* Complete with type index of the Ball joints

N W

GN 648.8

Description	d1 H7	d2 h6	b1 -0.2	b2	w	α
GN 648.8-5-13-*	5	13	8	6	13°	9
GN 648.8-6-16-*	6	16	9	6.75	13°	12
GN 648.8-8-19-*	8	19	12	9	14°	24
GN 648.8-10-22-*	10	22	14	10.5	13°	38
GN 648.8-12-26-*	12	26	16	12	13°	59
GN 648.8-14-28-*	14	28**	19	13.5	16°	85
GN 648.8-16-32-*	16	32	21	15	15°	116
GN 648.8-18-35-*	18	35	23	16.5	15°	154
GN 648.8-20-40-*	20	40	25	18	14°	202
GN 648.8-22-42-*	22	42	28	20	15°	230
GN 648.8-25-47-*	25	47	31	22	15°	254
GN 648.8-30-55-*	30	55	37	25	17°	362

** DIN ISO 12240-1: \emptyset 29

